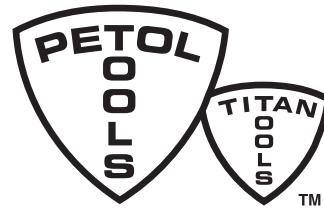


OPERATING INSTRUCTIONS

PETOL™ Flange Spray Deflector FD1 & FD2



Form SHPG-FD1/FD2 Rev. 02/01/13

4450 S. Hwy. 6 • P.O. Box 192
Clifton, TX 76634 U.S.A.
www.gearench.com

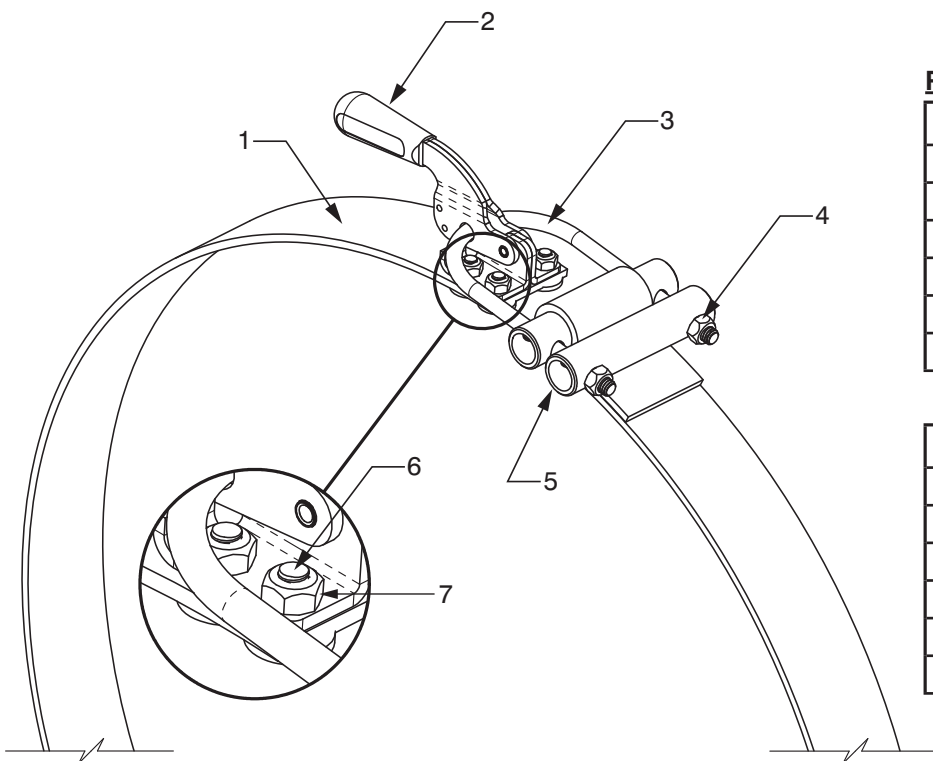
(254)675-8651
fax (254)675-6100
sales@gearench.com

PETOL™ Flange Spray Deflector

Description: The PETOL™ Flange Spray Deflector is a tool that helps minimize the spray that is produced when a flange set is broken open and direct the spray into a known direction. Occasionally, when unbolting flanged connections some liquid or gas under pressure may spray out from between the flanges. This spray poses a danger due to chemical exposure, hot water and/or steam burns. **This device is meant to help protect the worker, not to replace any personal protective equipment (PPE) or seal or contain any pressure.** The flange spray deflector consists of a nitrile elastomer strap, tension adjustment bolt and a tension clamp.

- Uses:**
- First line breaks
 - Hot bolting
 - Blinding
 - Low point breaks
 - Draining deflection and/or guiding

CATALOG NO.	STRAP WIDTH	FITS FLANGE O.D. UP TO	WEIGHT
FD1	2"	22"	2 lbs.
FD2	2"	45"	2-3/4 lbs.



Replacement Parts

FD1			
Item No.	Qty.	Part No.	Description
1	1	FD2-ST-072	Strap
2	1	FD2-C	Tension Clamp
3,4	1	FD1-UB	Tension Adjustment Bolt & Nut
5	2	FD2-LP	Adjustment Lock Pin
6,7	4	HB70	Clamp Bolt & Nut

FD2			
Item No.	Qty.	Part No.	Description
1	1	FD2-ST-144	Strap
2	1	FD2-C	Tension Clamp
3,4	1	FD2-UB	Tension Adjustment Bolt & Nut
5	2	FD2-LP	Adjustment Lock Pin
6,7	4	HB70	Clamp Bolt & Nut



WARNING!



Improper use of the PETOL™ Flange Spray Deflector may result in INJURY or DEATH!

Read Operating Instructions prior to operation.

This device IS NOT intended to replace any personal protective equipment (PPE).

Before using, inspect the strap for cuts, tears, burns or damage and replace or return any damaged tool.

DO NOT use to seal or contain pressure.

DO NOT use for lifting or support of any load.

DO NOT use to hold flanges in alignment.

DO NOT use to support an unbolted line, blind, valve or fitting.

DO NOT use on surfaces that exceed 275°F.

Follow OSHA, NSC, etc., standards, safe practices, and procedures.



1. Wrap the strap around the bolted flanges prior to unbolting. Feed the free end over the top of the two adjustment lock pins.

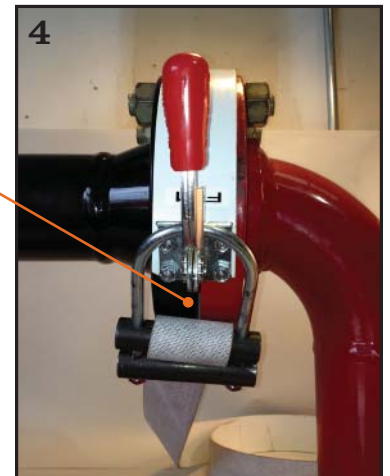


2. Then feed the free end back through the tension adjustment bolt, in between the two adjustment lock pins.



3. With the tension clamp in the relaxed position pull the slack out of the strap until the strap is just snug around the flanges.

4. Arrange the tension adjustment bolt so that the flange access gap (pictured right) is pointed in a safe direction. The flange access gap allows the operator to use a pry bar to break the seal between flanges. The P95-525 POP-IT™ Tool can be used to break the seal when using the FD2 spray deflector.



5. Engage the tension clamp. If the tension clamp is difficult to close loosen the strap slightly and try again. The strap is tightened correctly when the edges are firmly seated around the flanges and does not slip when pressure is applied at any point.

