

GEARENCH®

P
E
T
O
L
T
A
N
K
S
A
F
E
T
Y
G
A
U
G
E

- ❖ Reduces Risk of Injury
- ❖ Saves Time
- ❖ Reduces Manpower



Manufacturing



4450 S. Highway 6 • P.O. Box 192 • Clifton, TX 76634
(254)675-8651 • fax (254)675-6100 • sales@gearench.com

Visit us on the World Wide Web at www.gearench.com



The PETOL TANK SAFETY GAUGE is a quality, accurate, easy to install and virtually maintenance free gauging system.

These gauges greatly **reduce risk** by keeping lease operators off of tank batteries, thus helping to prevent **injuries** and **accidental deaths** due to **falls** and **H₂S exposure** when checking tank fluid levels.

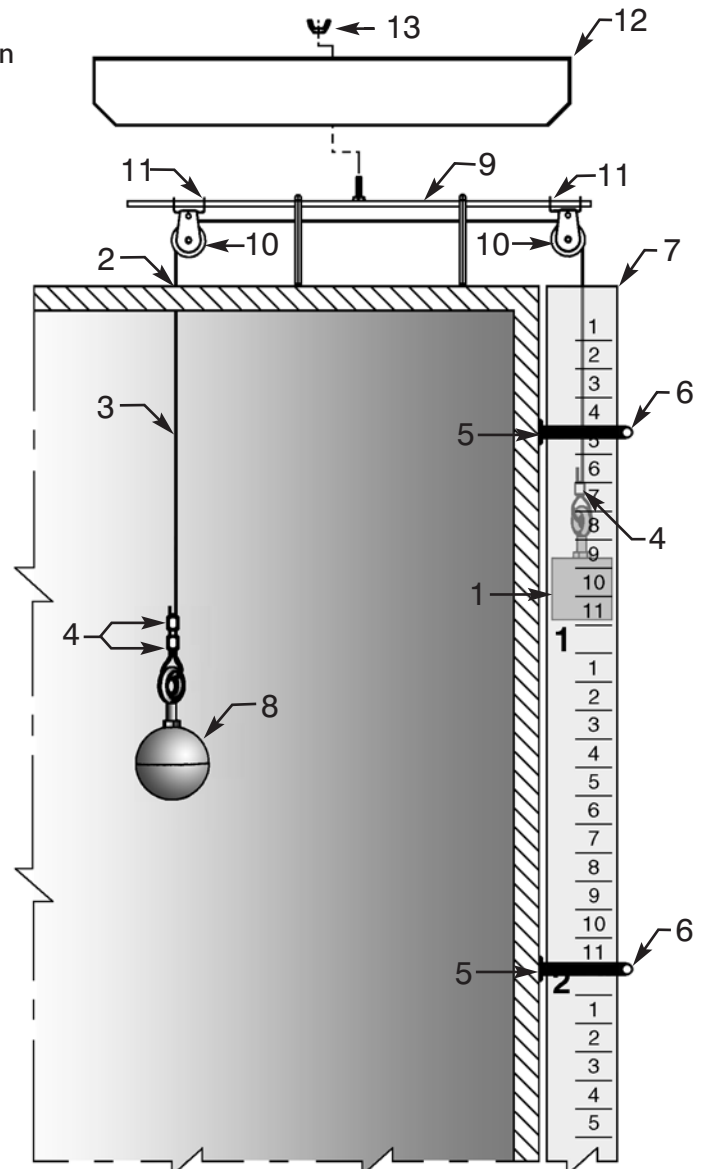
The components used in the patented gauging system are of the highest quality to ensure years of dependable service. PETOL Tank Safety Gauge systems include the following:

- Gauge body produced from highly durable, weather-resistant, clear UV protected polycarbonate material
- Stainless steel, low-profile A-frame with coated heavy gauge metal hut
- Stainless steel seal-bearing pulleys with deep grooved nylon inserts
- Nylon coated, stainless steel cable
- Tank attachments for welded, bolted, or fiberglass tanks
- Custom stainless steel floats
- Reflective vinyl measurement decals
- Nylon tank plug with minimal clearance for cable

PETOL TANK SAFETY GAUGE SYSTEMS (For Vertical Storage Tanks)

CATALOG NO.	SIZE
TSG6	6 foot
TSG8	8 foot
TSG10	10 foot
TSG11	11 foot
TSG12	12 foot
TSG15	15 foot
TSG16	16 foot
TSG18	18 foot
TSG20	20 foot
TSG24	24 foot
TSG25	25 foot
TSG30	30 foot

NOTE: LARGER SYSTEMS AVAILABLE UPON REQUEST.



KEY NO.	ITEM DESCRIPTION	NO. REQ'D.
TANK SAFETY GAUGE KIT		
1	INDICATOR	1
2	TANK PLUG	1
3	CABLE	1
4	CABLE SLEEVE	3
5	STRAP BRACKET	*
6	CLAMP	*
7	GAUGE BODY TUBE	1
8	FLOAT W/BOLT & NUT	1
9	A-FRAME	1
10	PULLEY	2
11	PULLEY KEEPER	2
12	HUT	1
13	WING NUT	1

* NO. REQ'D. WILL VARY BETWEEN SYSTEM SIZES.